

Figure 17. MCU

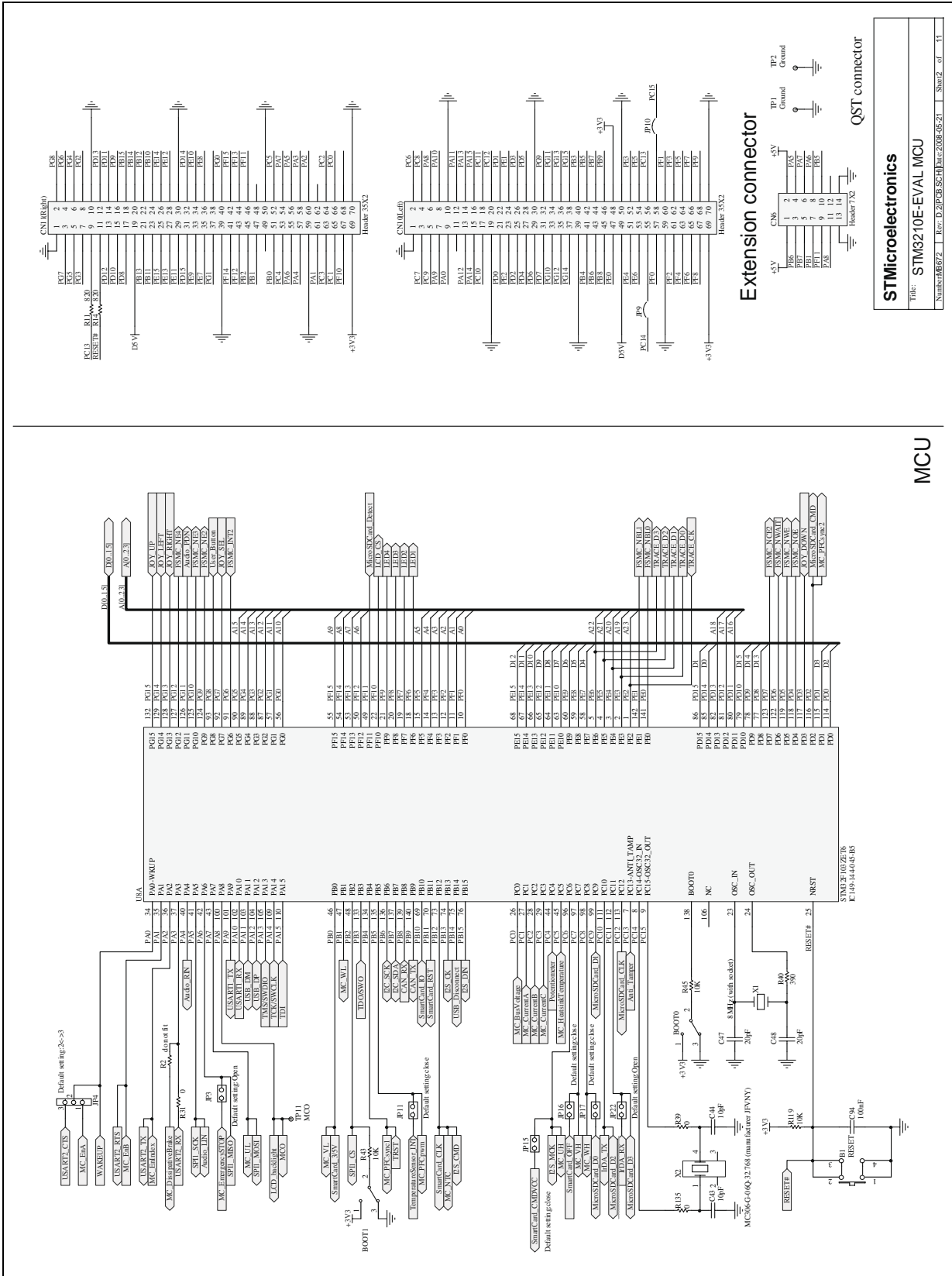
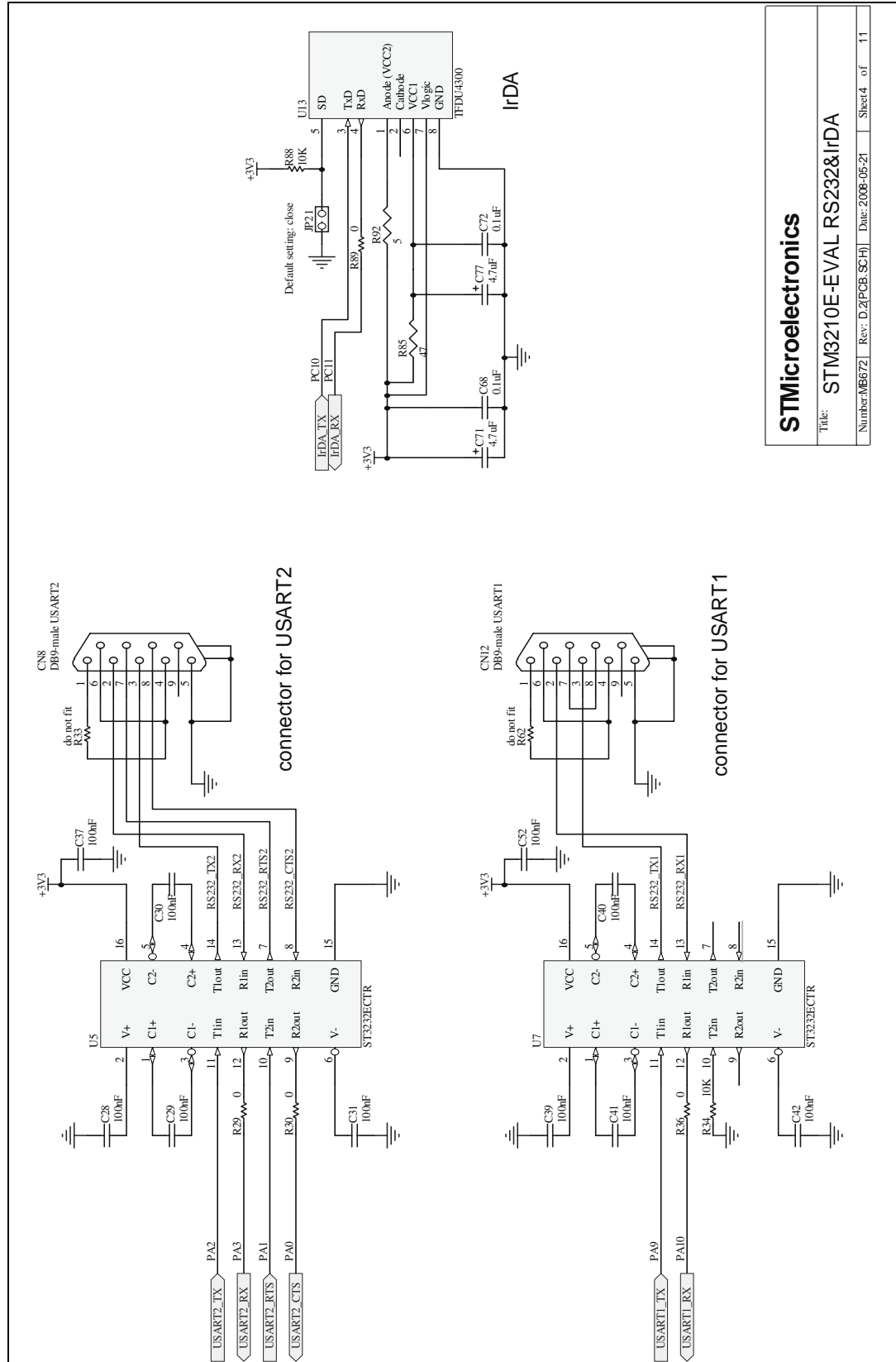


Figure 19. RS232 and IrDA connectors

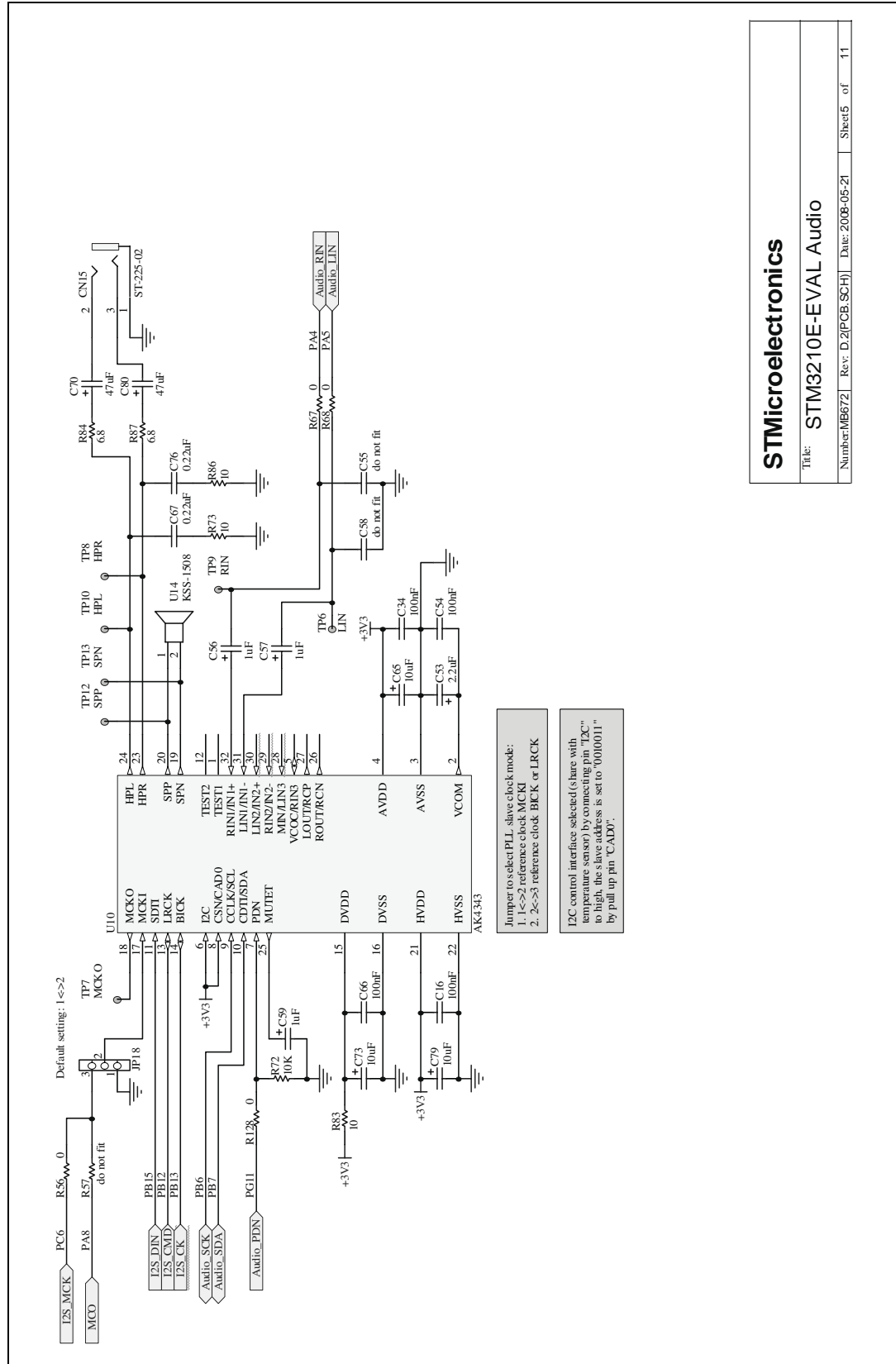


STMicroelectronics

Title: STM3210E-EVAL RS232&IrDA

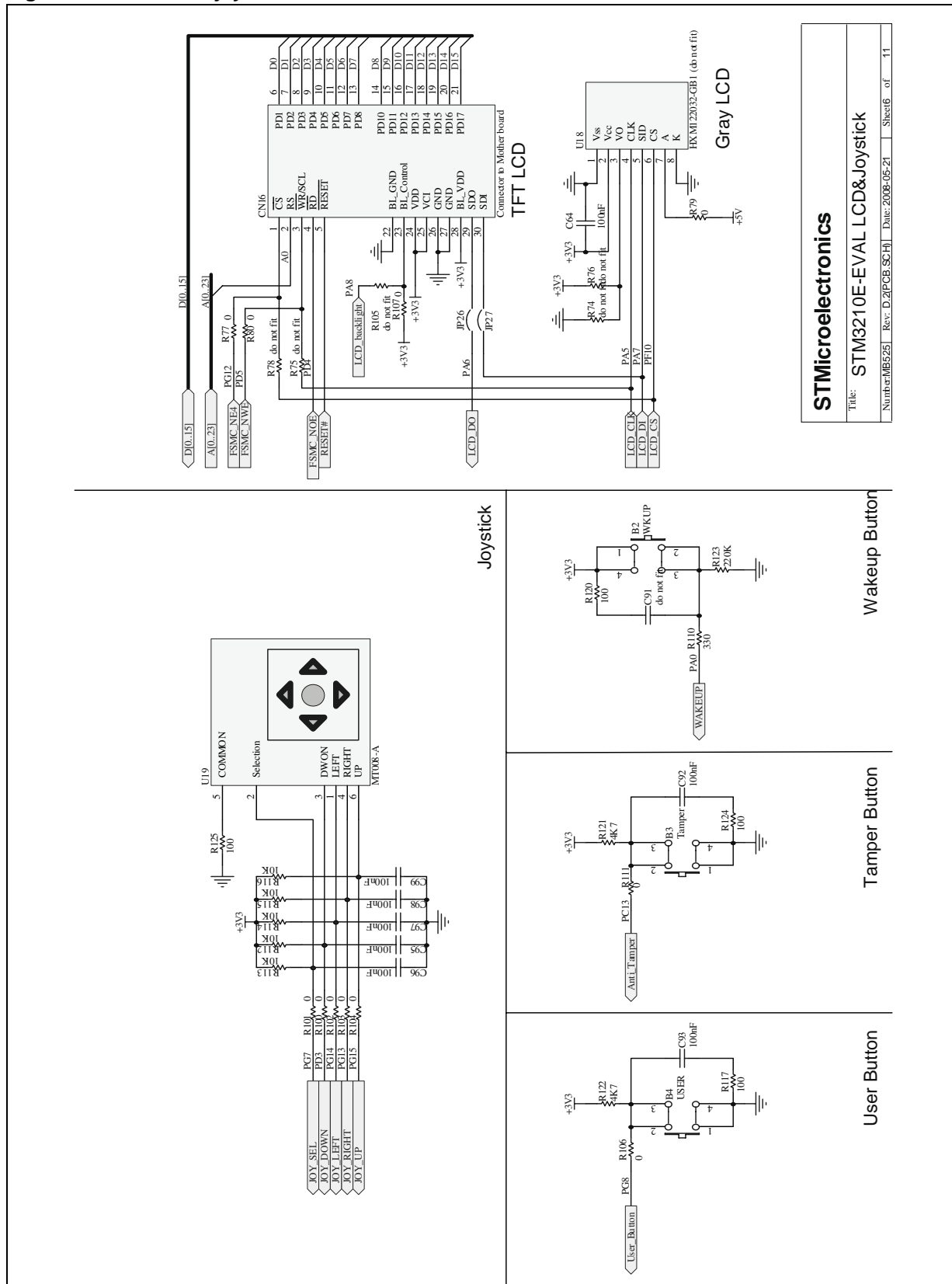
Number:MB672 Rev: D.2(PCB SCH) Date: 2009-05-21 Sheet4 of 11

Figure 20. Audio



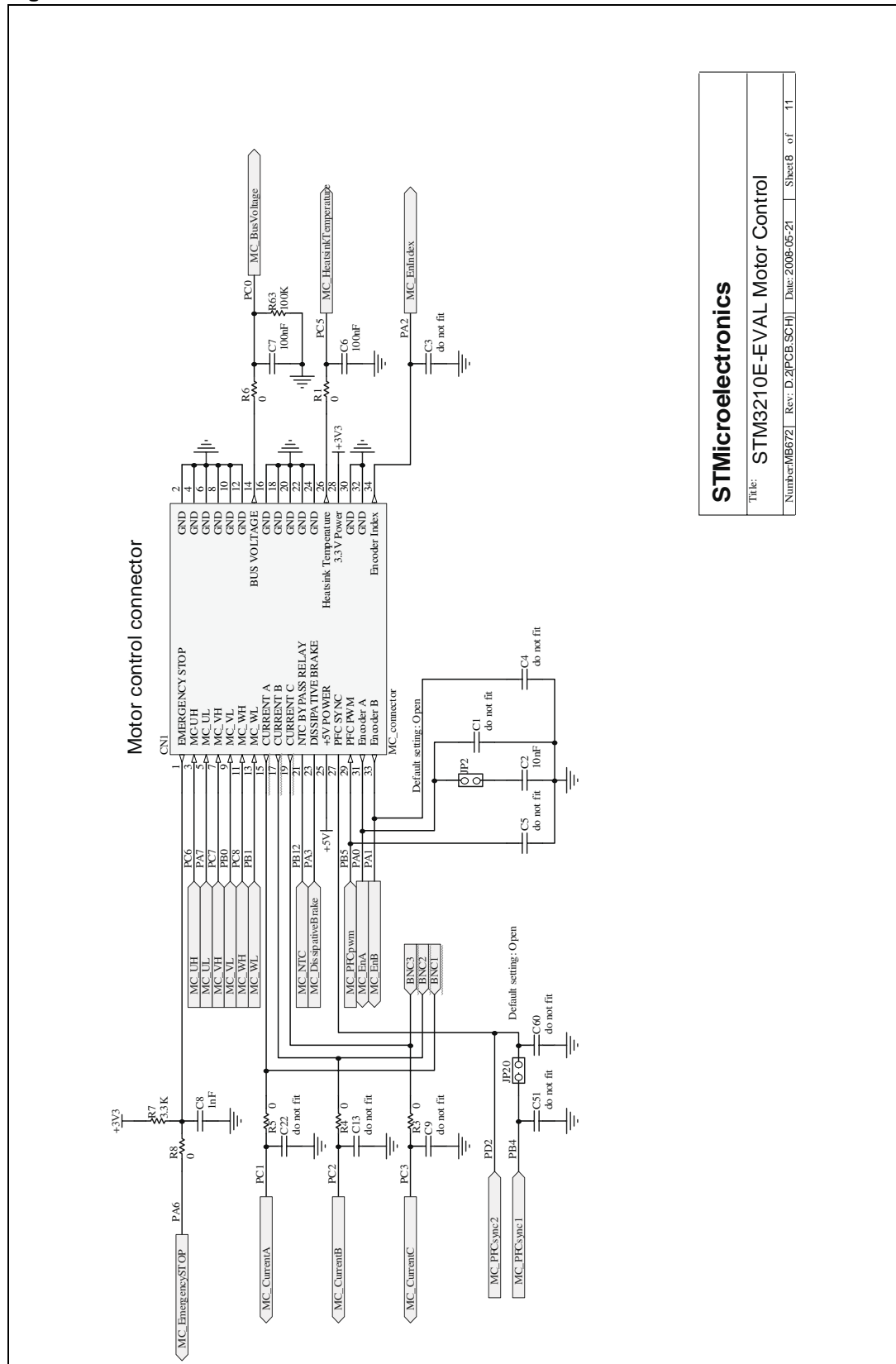
STMicroelectronics	
Title: STM3210E-EVAL Audio	
Number: MB672	Rev: D.2 (PCB_SCH)
Date: 2008-05-21	Sheet 5 of 11

Figure 21. LCD and joystick connections



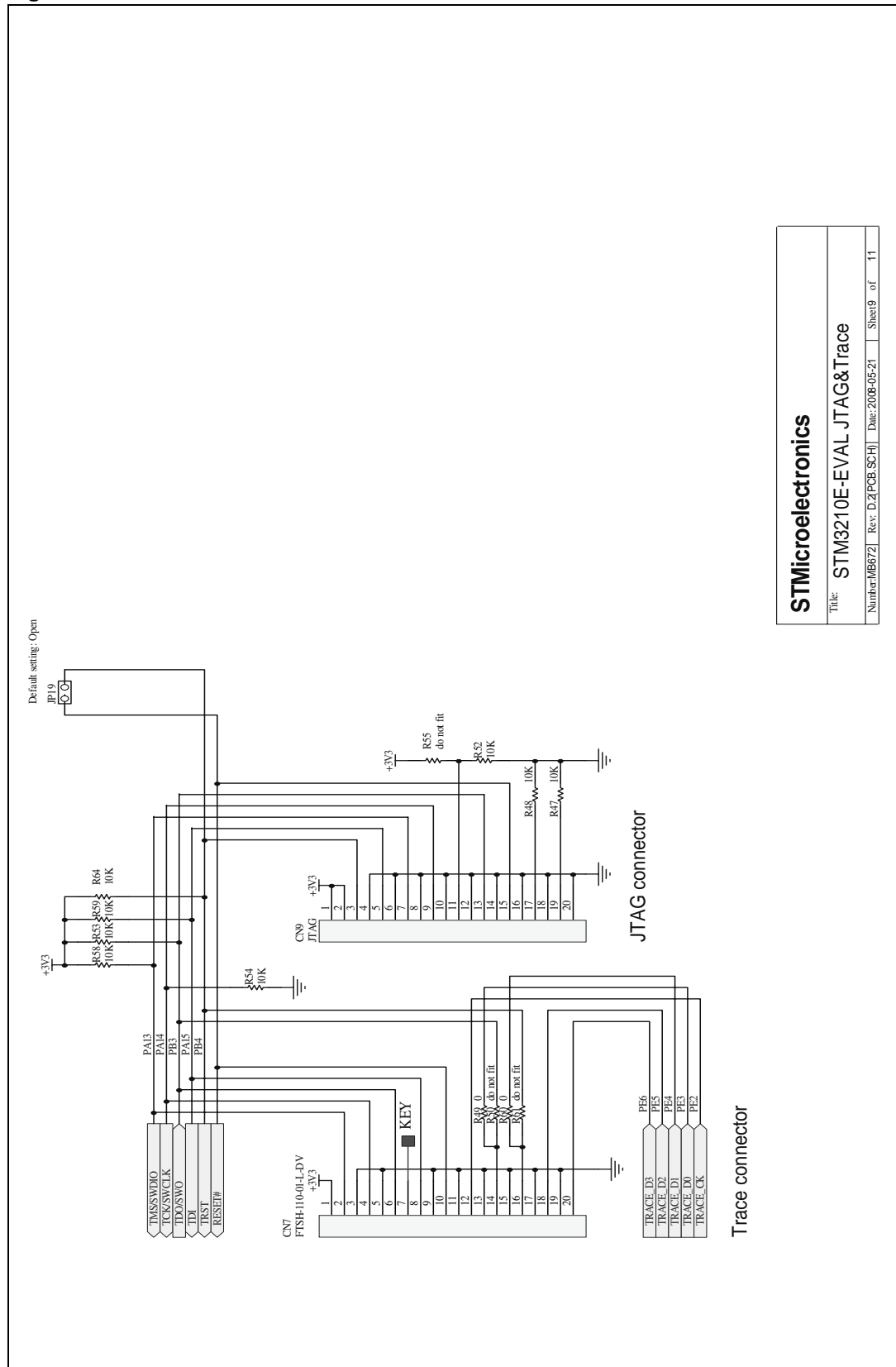
STMicroelectronics
 Title: STM3210E-EVAL LCD&Joystick
 Number: MB5251 Rev. D | PCB_SCH | Date: 2008-05-21 Sheet 6 of 11

Figure 23. Motor control



STMicroelectronics		
Title: STM3210E-EVAL Motor Control		
Number: MB672	Rev: D_2(PCB SCH)	Date: 2008-05-21
		Sheet 8 of 11

Figure 24. JTAG and trace connectors



STMicroelectronics	
Title: STM3210E-EVAL JTAG&Trace	
Number/MB67Z	Rev. D.2/PCB.SC.H Date: 2008-05-21 Sheet 19 of 11

Figure 25. Power supply

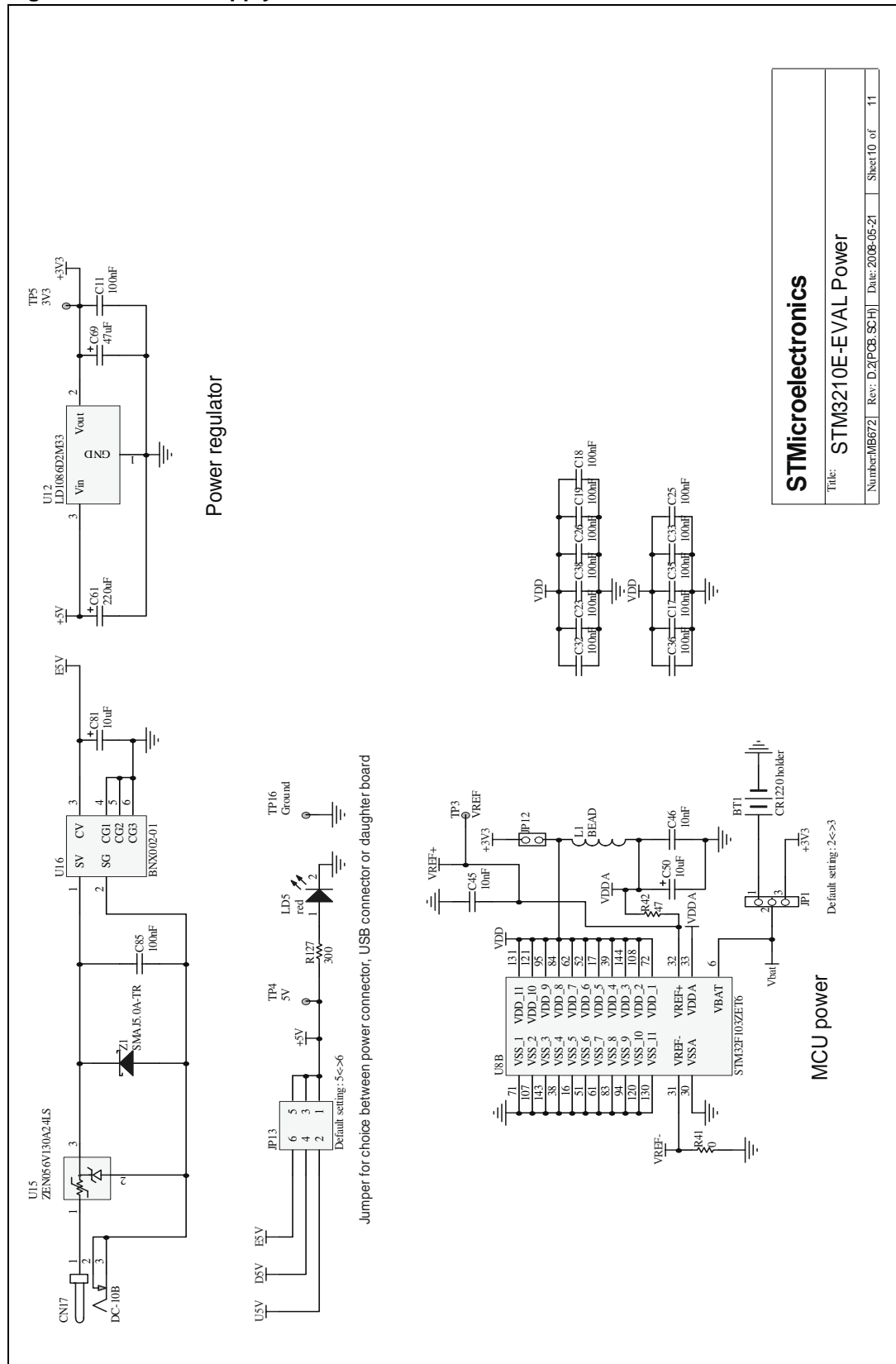
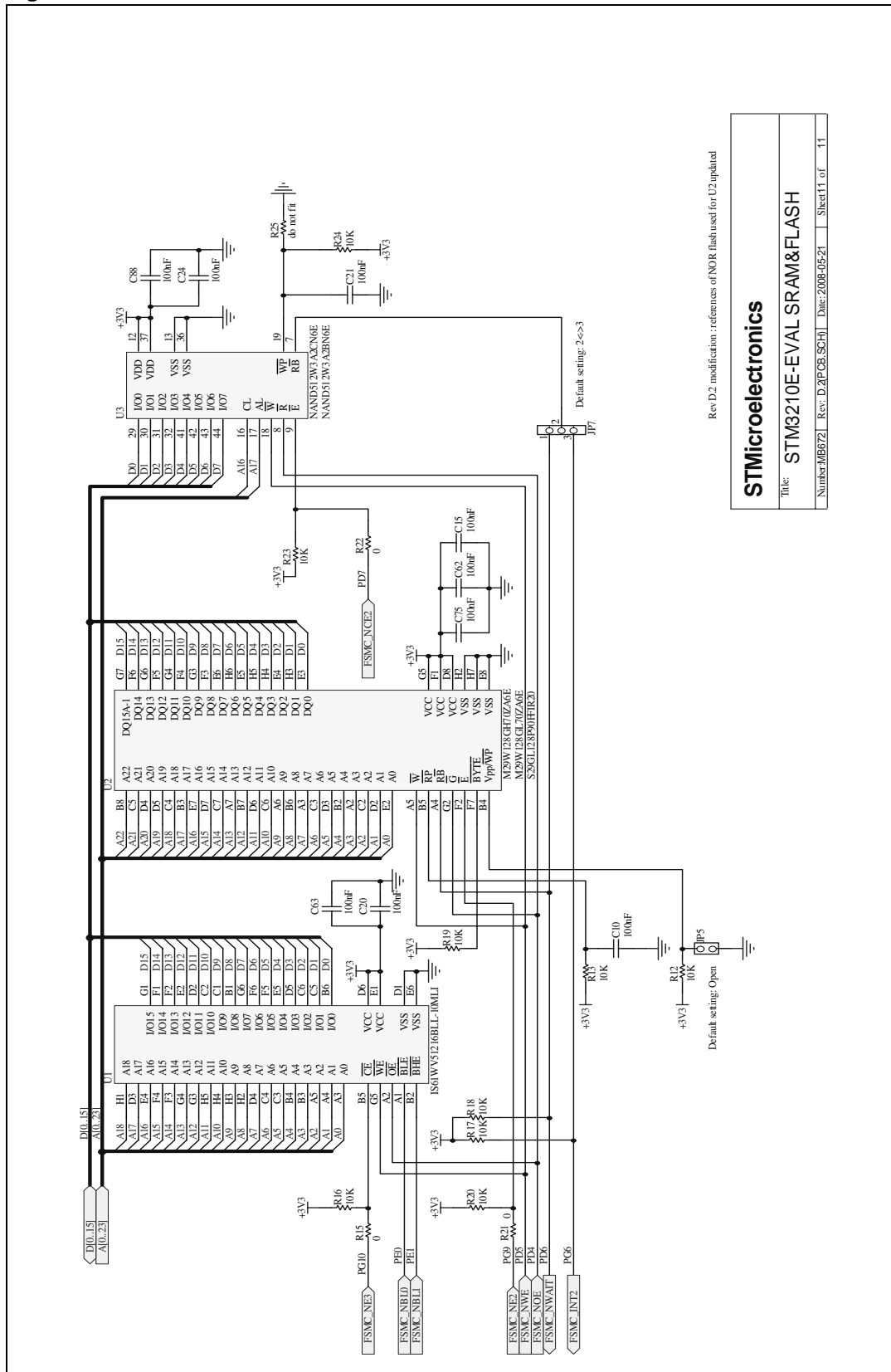


Figure 26. SRAM and Flash



Rev.D2, modification : references of NOR Flash used for L2 updated

STMicroelectronics	
Title: STM3210E-EVAL SRAM&FLASH	
Number:MB6721	Rev: D2(PCB.SCH) Date: 2008-05-21
	Sheet 11 of 11



Figure 27. Color LCD module

